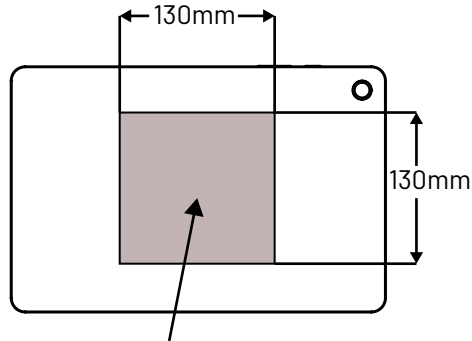


PowerMove Connector

Assembly Instructions

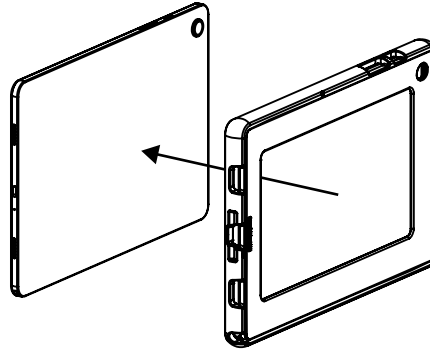
COMPULOCKS

1



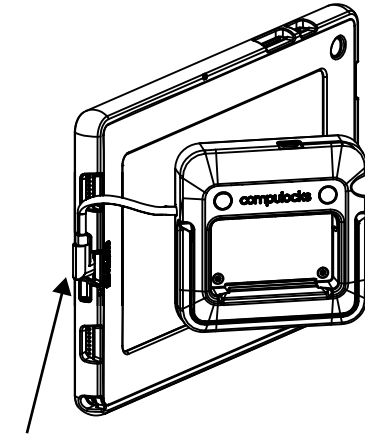
USING THE ALCOHOL WIPE PROVIDED, CLEAN A 130mm SQUARE AREA CENTERED ON THE BACK OF THE TABLET AND ALLOW IT TO DRY

2



INSTALL CASE ON TABLET. EDGE CASE SOLD SEPARATELY

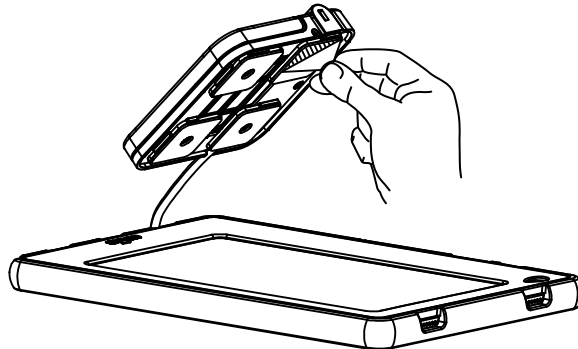
3



CONNECT RIGHT ANGLE USB-C CABLE AS SHOWN, ENSURING YOUR TABLET AND CONNECTOR ARE IN LANDSCAPE ORIENTATION

4

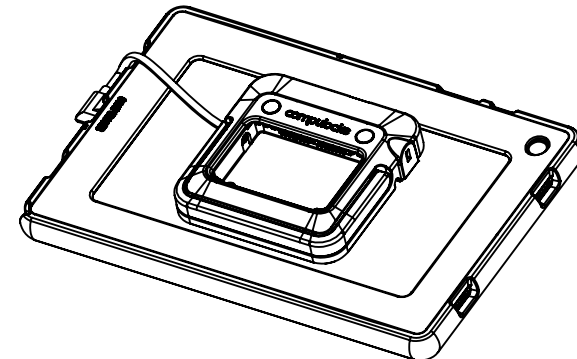
REMOVE COVERS TO EXPOSE ADHESIVE ON ALL 4 PADS



NOTE:
TABLET AND CONNECTOR SHOULD BE AT ROOM TEMPERATURE FOR BEST RESULTS

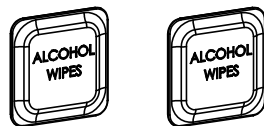
5

CENTER CONNECTOR AND ADHERE TO TABLET WITH MILD PRESSURE

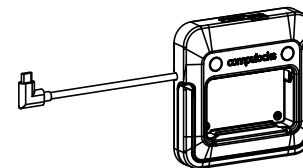


FOR BEST PERFORMANCE ALLOW CONNECTOR TO BOND TO TABLET FOR 12 HOURS

IN THE BOX



Alcohol Wipes



PowerMove Connector