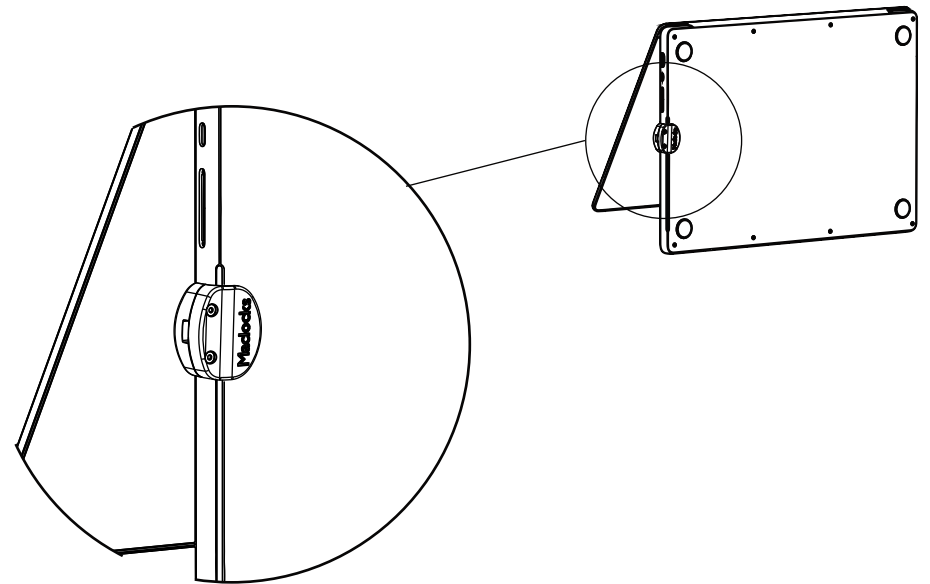
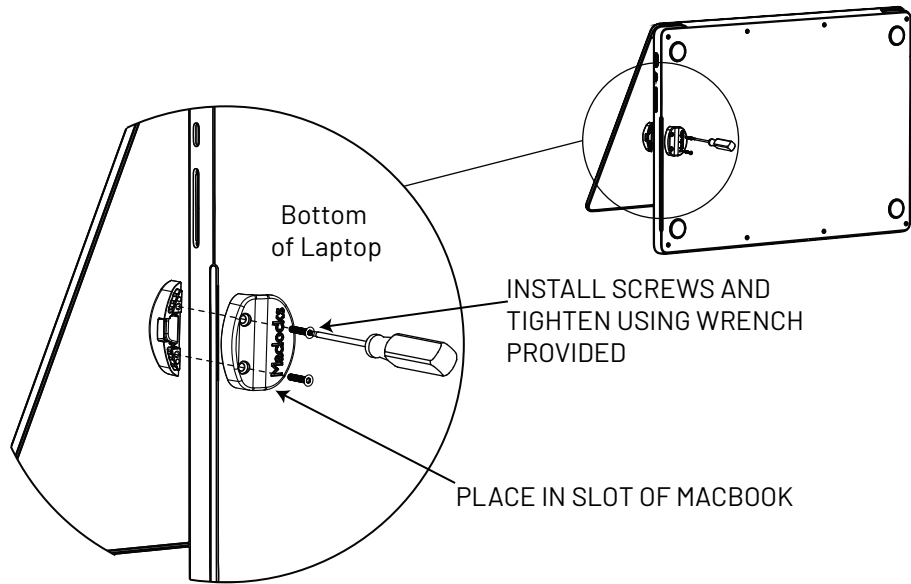


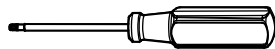
Assembly Instructions

1

2



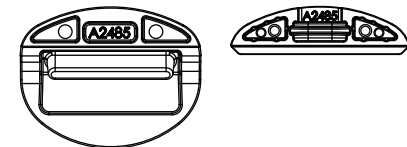
IN THE BOX



Torx driver T-7



Attachment Screws
(Only two screws are required)

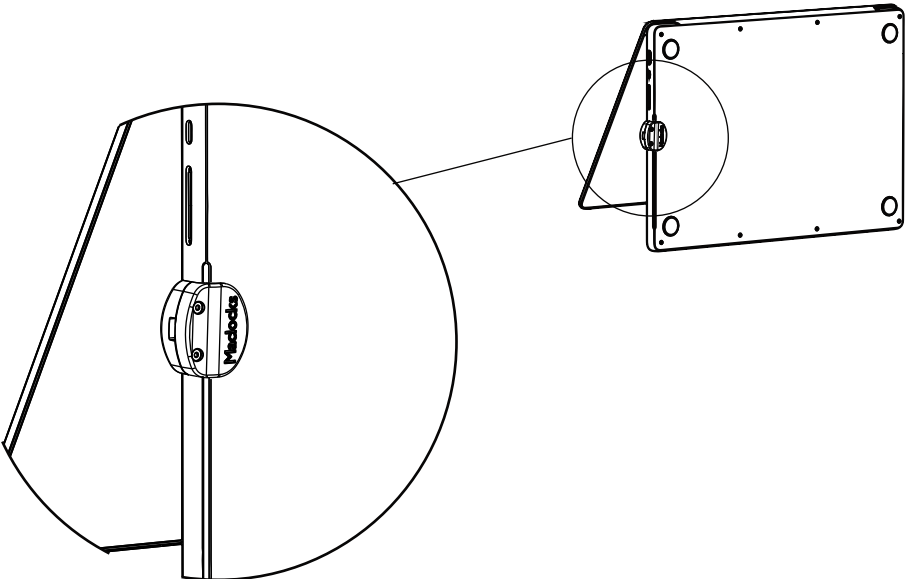
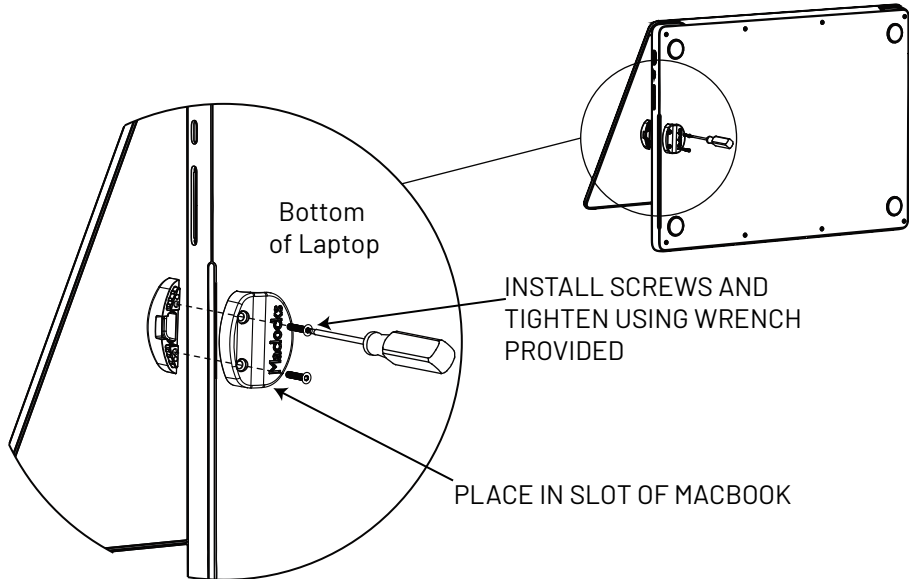


Ledge two parts

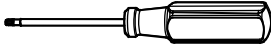
Assembly Instructions

1

2



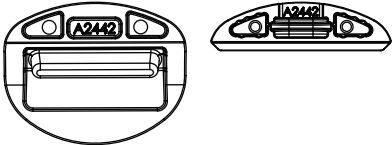
IN THE BOX



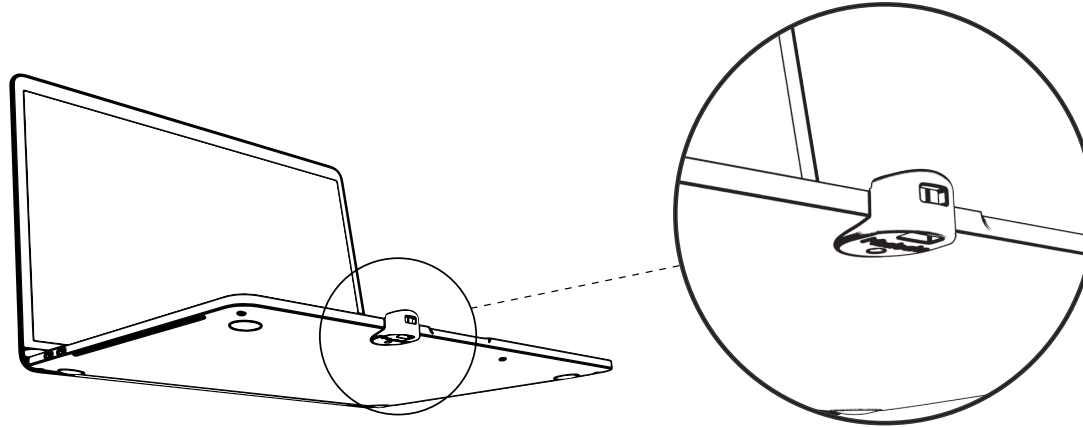
Torx driver T-7



Attachment Screws
(Only two screws are required)

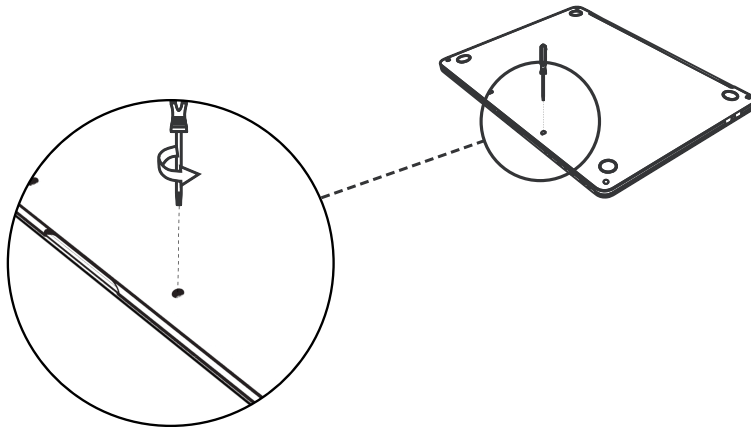


Ledge two parts



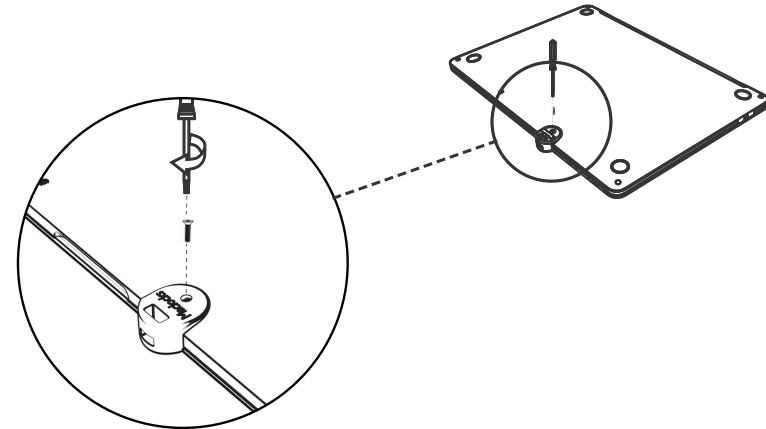
1

REMOVE ONE OF THE TWO FRONTAL SCREWS



2

ALIGN THE LEDGE WITH THE SCREW HOLE AND FASTEN WITH SUPPLIED SCREW



IN THE BOX



Screwdriver



Attachment Screws
(Only one screw is required)



Ledge