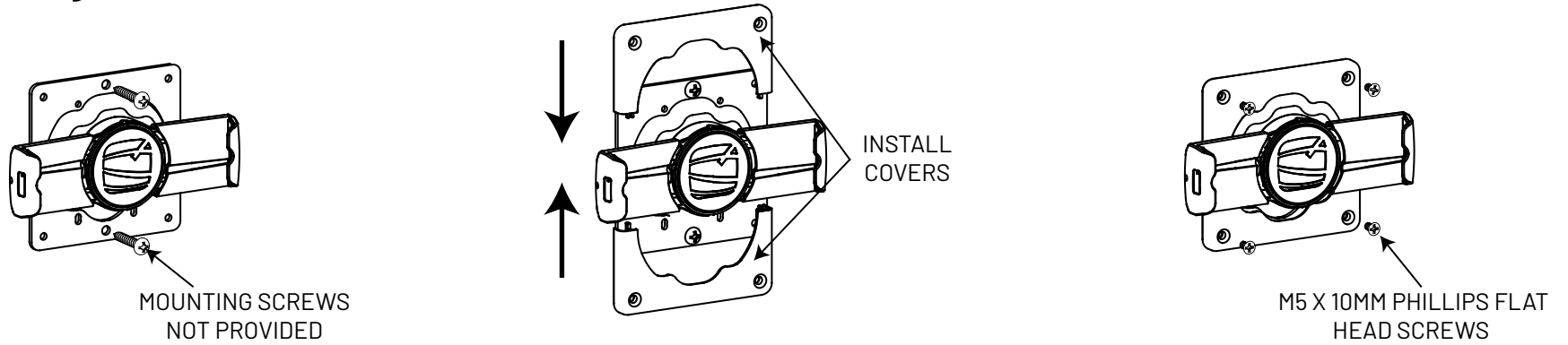
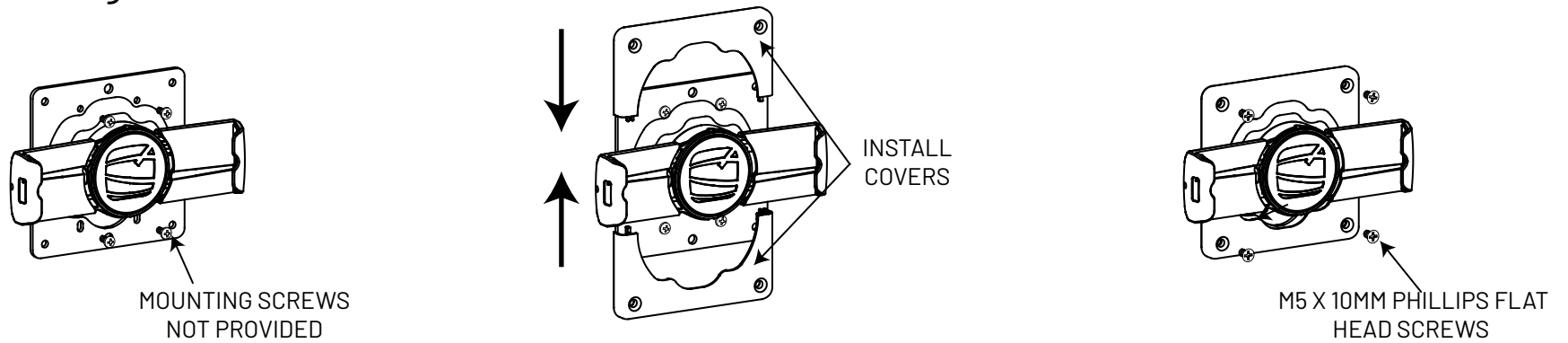


Wall Mounting



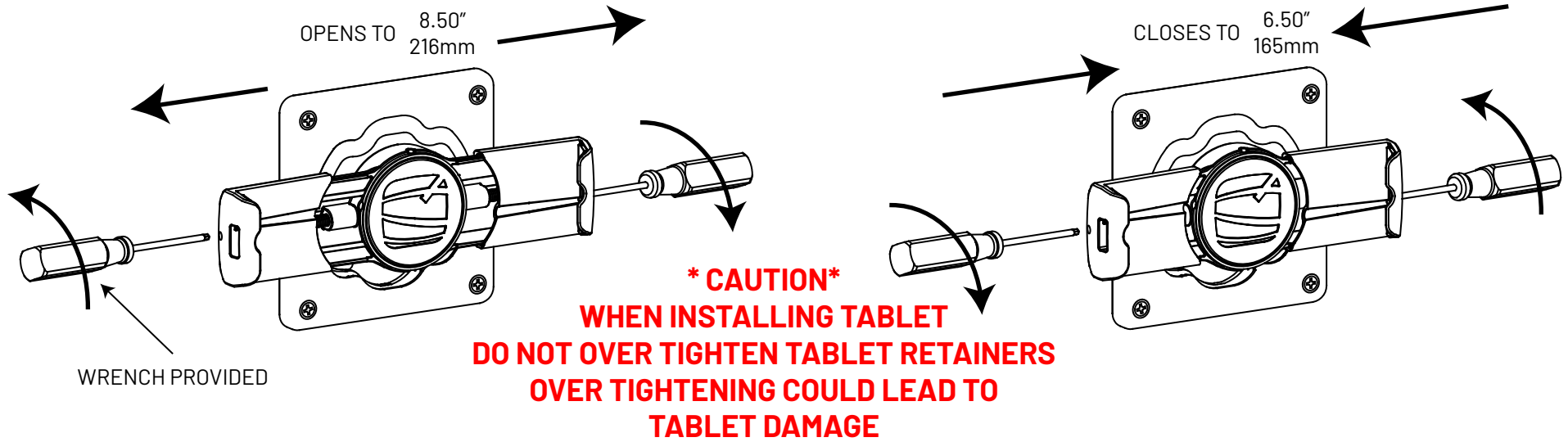
J-Box Mounting



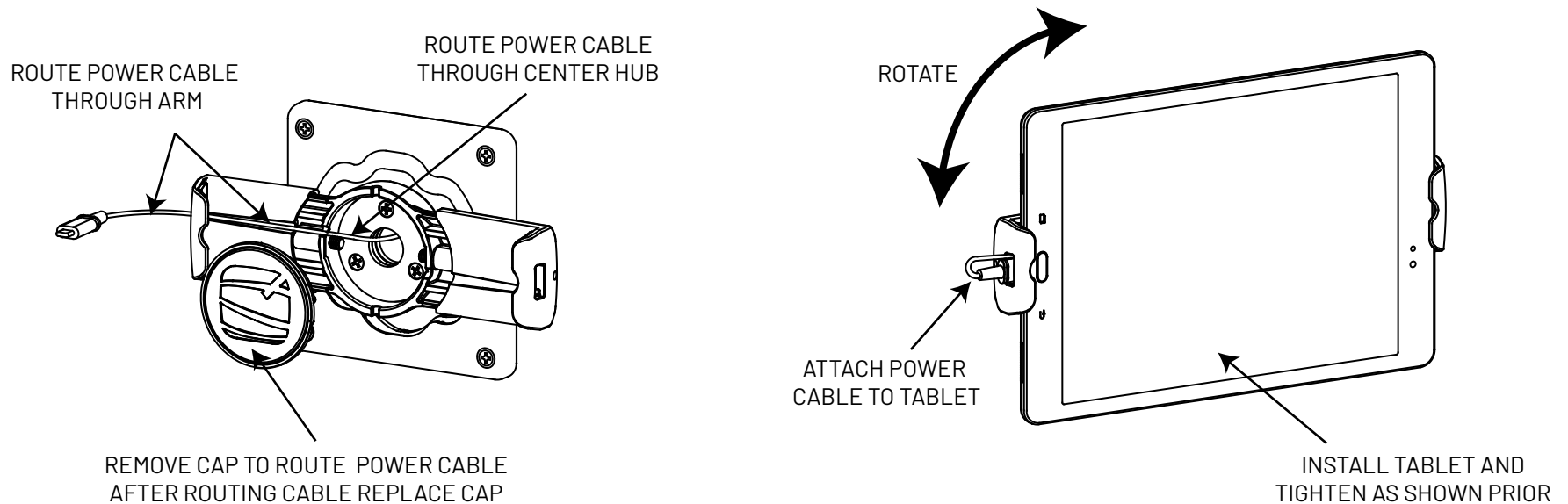
100mm Vesa Mounting



Minimum and Maximum Opening of Mount

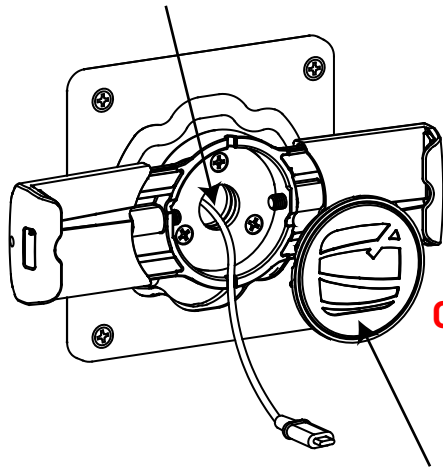


Tablet Portrait Installation



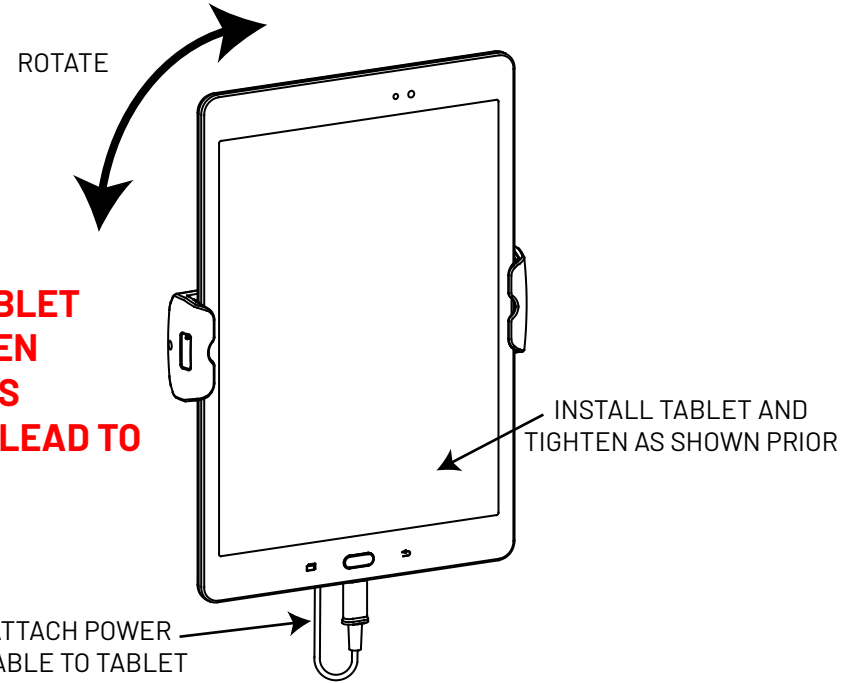
Tablet Landscape Installation

ROUTE POWER CABLE THROUGH CENTER HUB

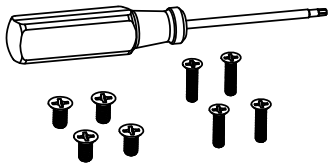


REMOVE CAP TO ROUTE POWER CABLE AFTER ROUTING CABLE REPLACE CAP

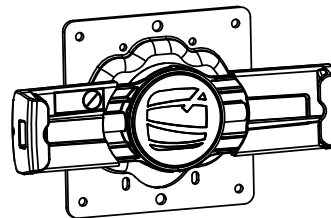
*** CAUTION***
WHEN INSTALLING TABLET
DO NOT OVER TIGHTEN
TABLET RETAINERS
OVER TIGHTENING COULD LEAD TO
TABLET DAMAGE



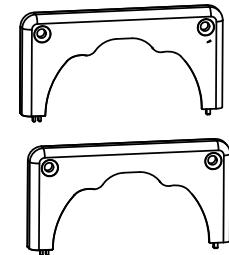
IN THE BOX



Hardware Kit



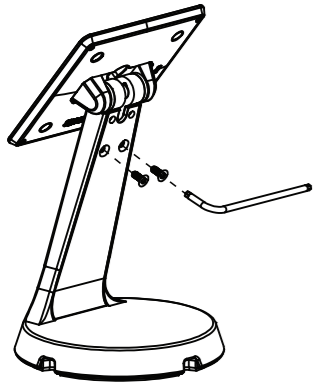
Cling VESA 100mm



Covers

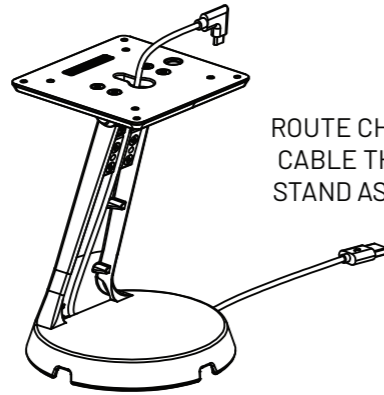
Through Stand Cable Assembly

1



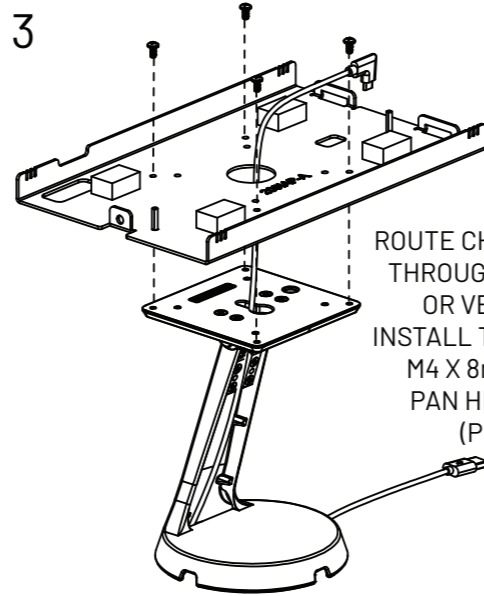
REMOVE FRONT COVER.
USE T-20 TORX
WRENCH (PROVIDED)
TO REMOVE M4 X 10mm
TORX FLAT HEAD SCREWS

2



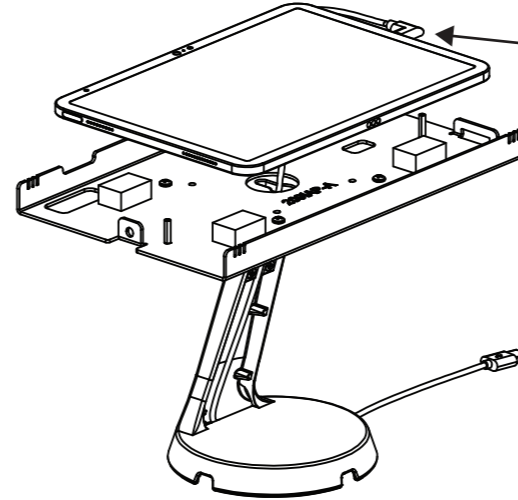
ROUTE CHARGING
CABLE THROUGH
STAND AS SHOWN

3



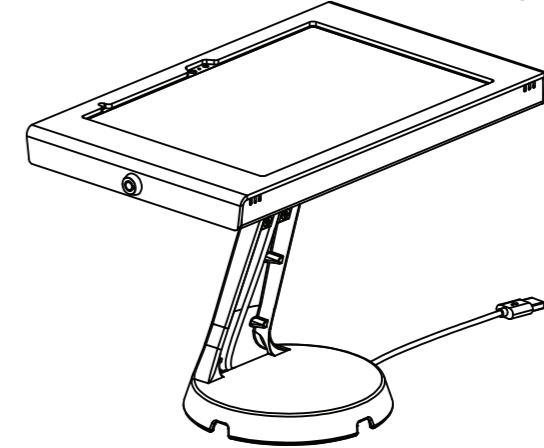
ROUTE CHARGING CABLE
THROUGH ENCLOSURE
OR VESA MOUNT.
INSTALL TO STAND USING
M4 X 8mm PHILLIPS
PAN HEAD SCREWS
(PROVIDED)

4



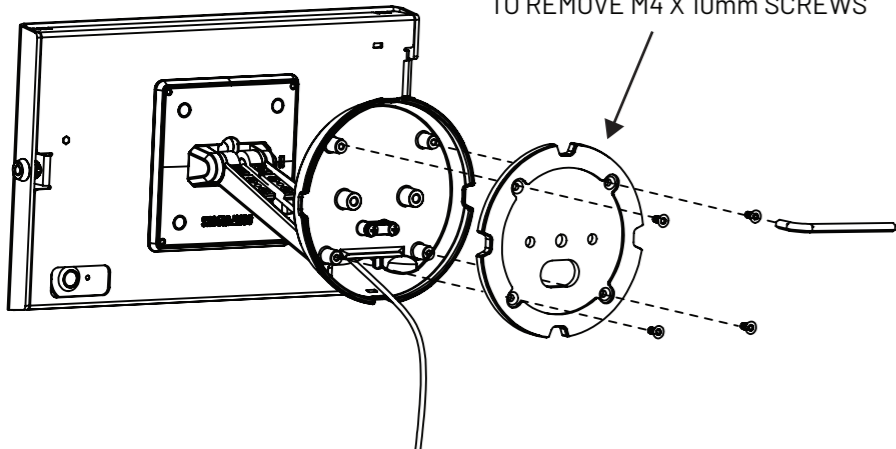
ATTACH CHARGING CABLE
TO TABLET, LEAVE A SMALL LOOP
OF CABLE BENEATH THE TABLET

5



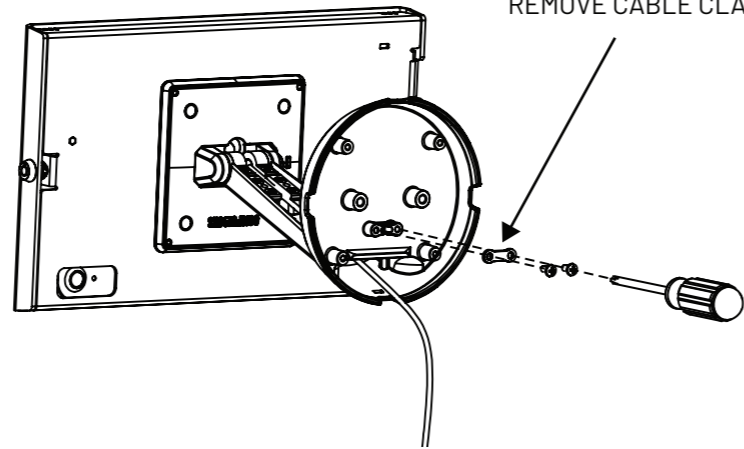
INSTALL THE REST OF THE ENCLOSURE
OR VESA MOUNT
PER THEIR INSTRUCTIONS

6



REMOVE BOTTOM PLATE.
USE T-20 TORX WRENCH (PROVIDED)
TO REMOVE M4 X 10mm SCREWS

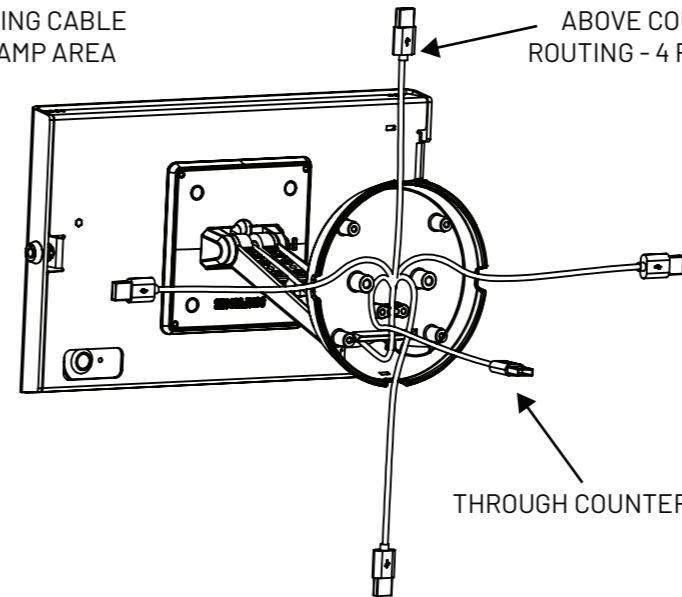
7



REMOVE CABLE CLAMP

8

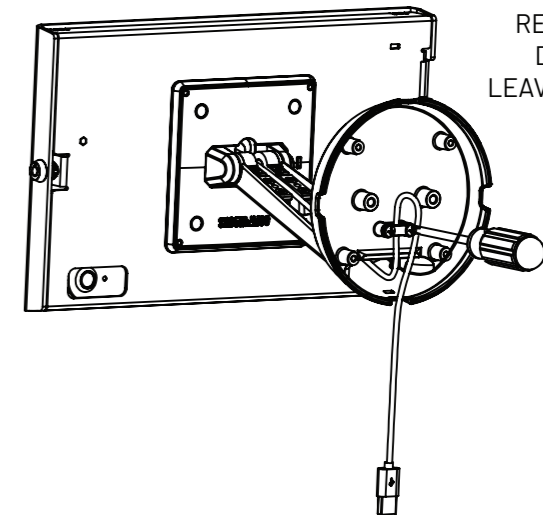
ROUTE CHARGING CABLE
THROUGH CLAMP AREA



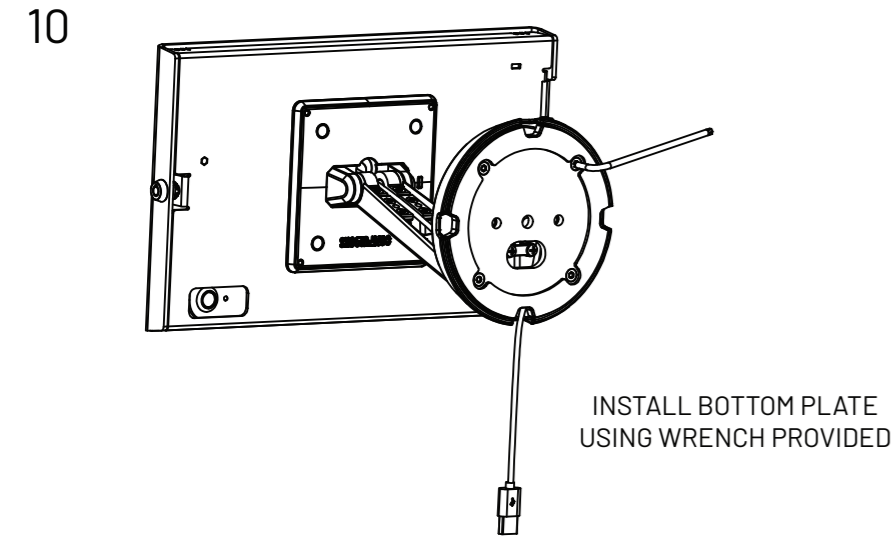
ABOVE COUNTER
ROUTING - 4 POSITIONS

THROUGH COUNTER ROUTING

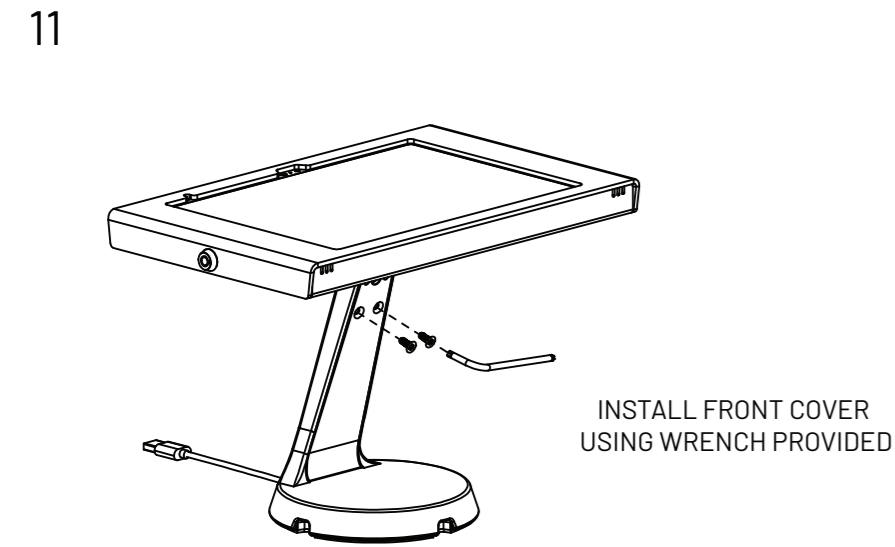
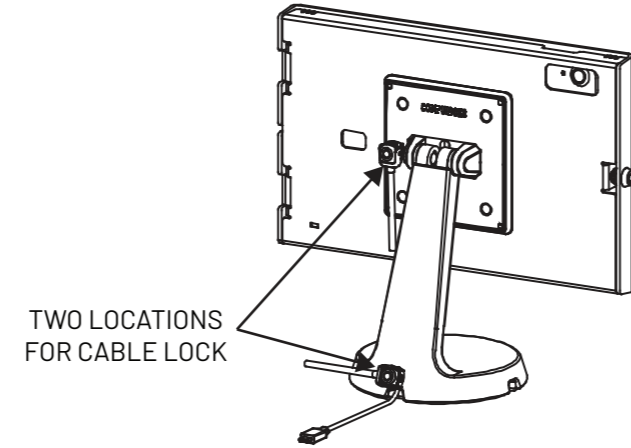
9



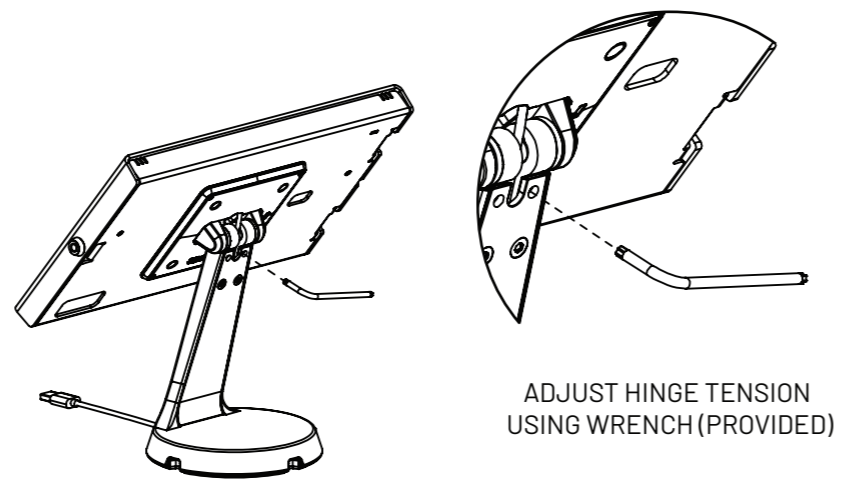
REINSTALL CABLE CLAMP
DO NOT OVER TIGHTEN
LEAVE SLACK IN POWER CORD
BELOW CLAMP



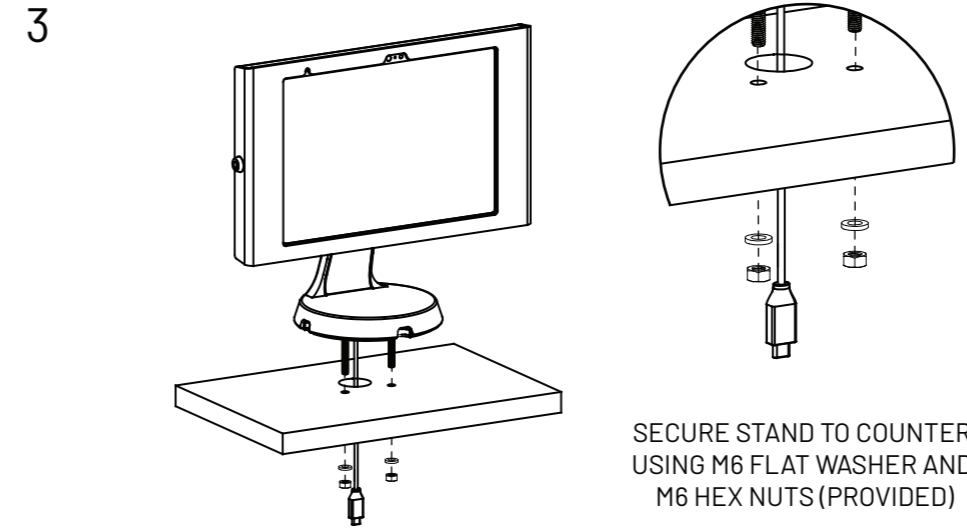
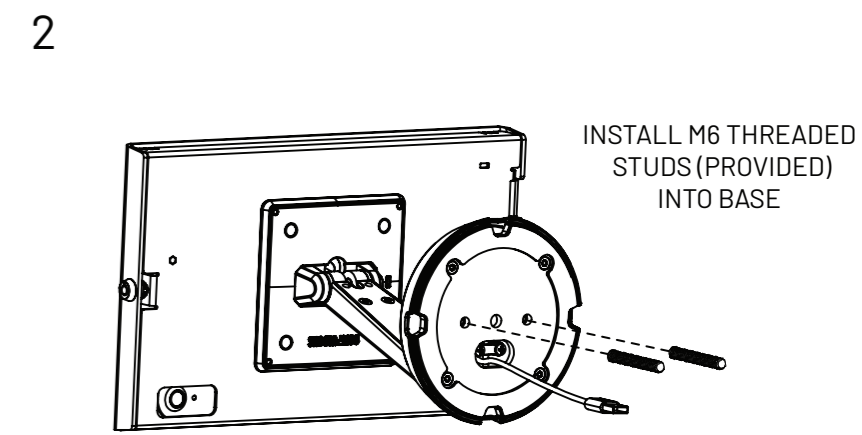
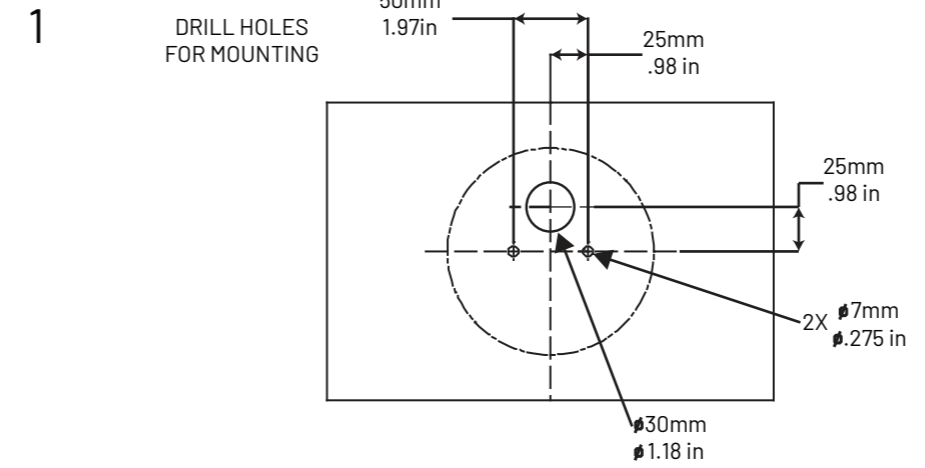
Securing Stand Using Cable Lock



Tilt Tension Adjustment



Secure Counter Mounting



75mm VESA Mounting

