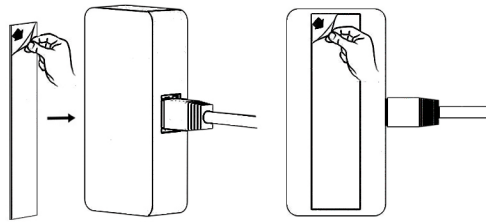
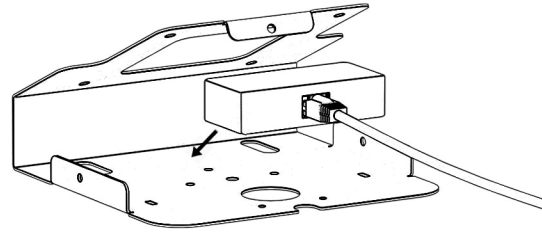


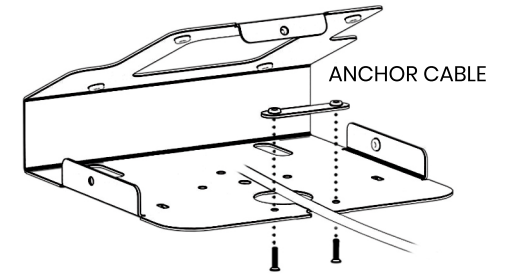
0 IF YOU USE POE



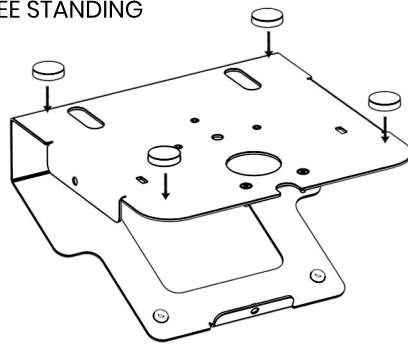
PLACE HERE



1

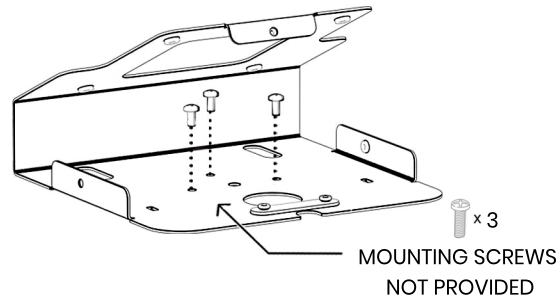


2.1 FREE STANDING



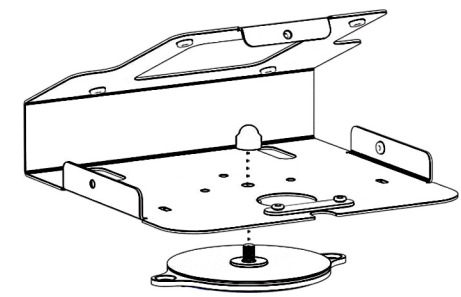
2.2 TABLE MOUNTED

or

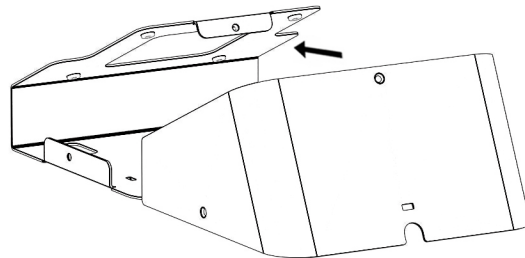


2.3 SWIVEL BASE (optional add on)

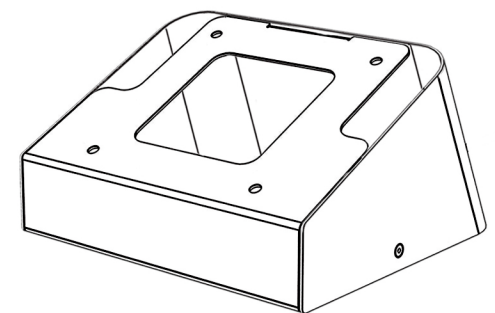
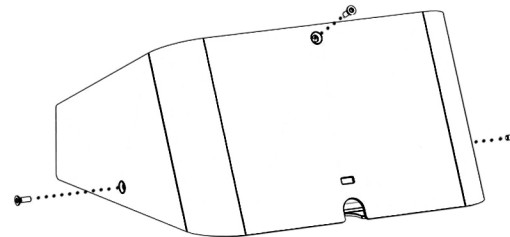
or



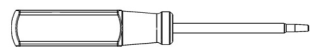
5



6



IN THE BOX



Screwdriver



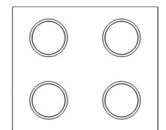
Tamper proof screws



Enclosure mounting screws

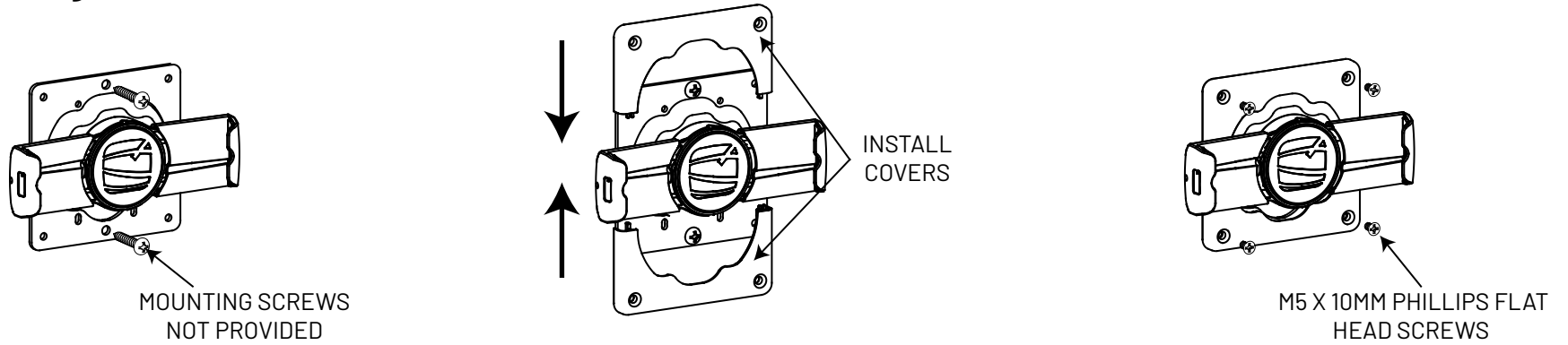


Tape-double sided

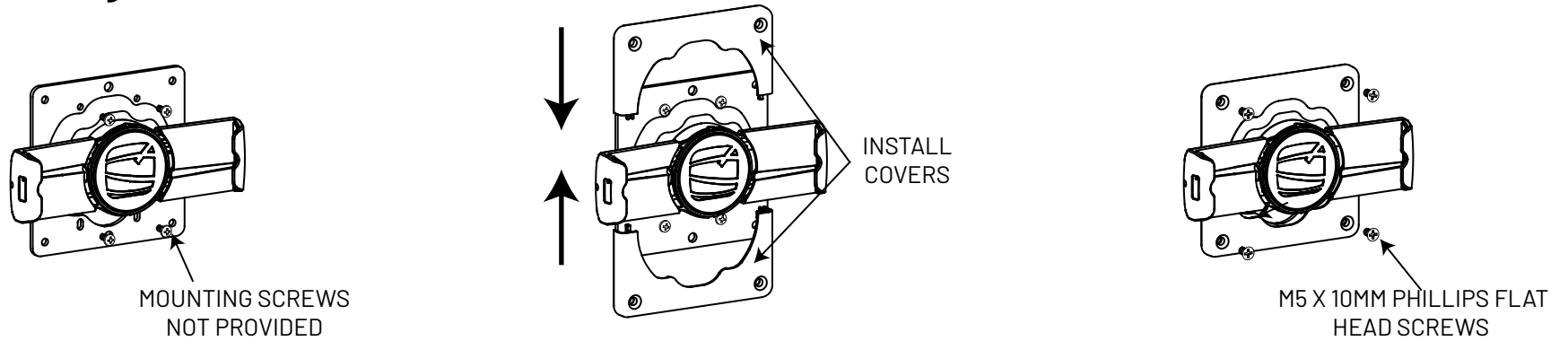


Bumper legs pack

### Wall Mounting



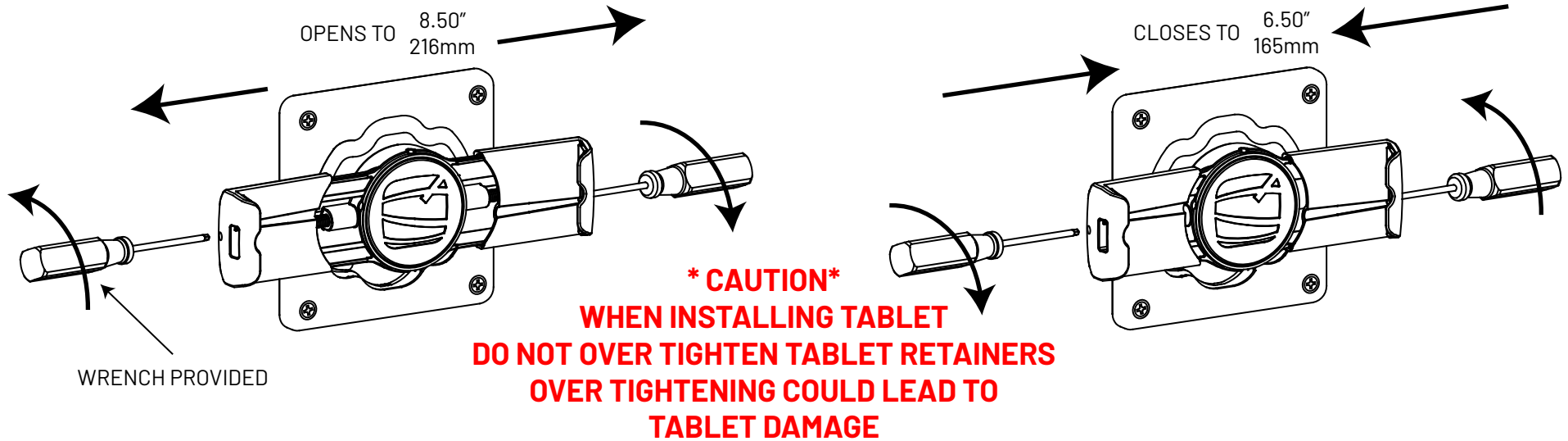
### J-Box Mounting



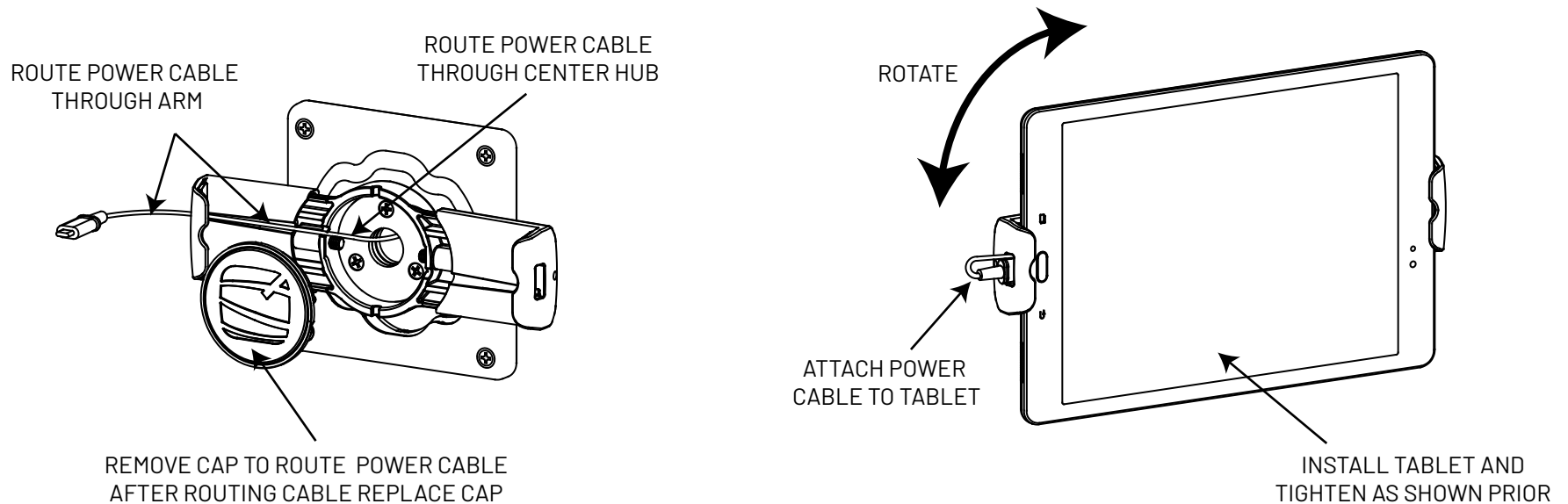
### 100mm Vesa Mounting



### Minimum and Maximum Opening of Mount

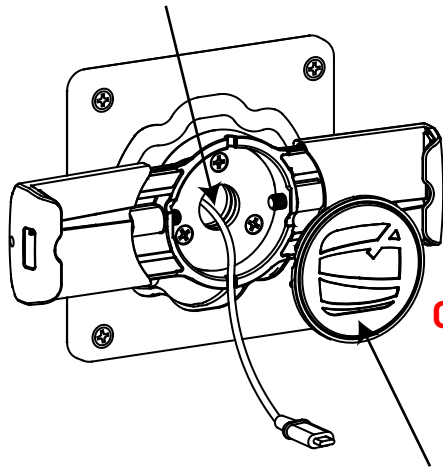


### Tablet Portrait Installation



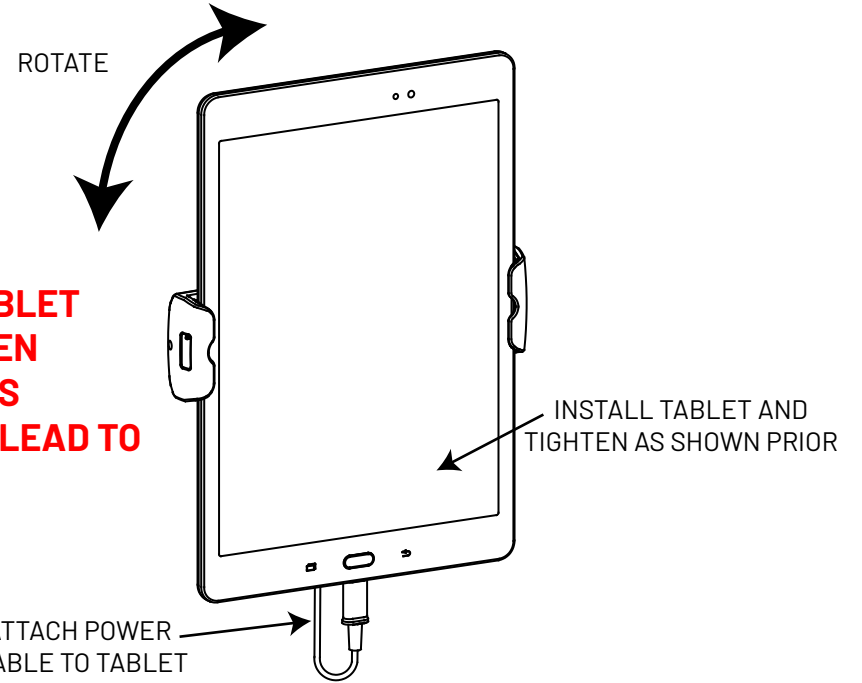
### Tablet Landscape Installation

ROUTE POWER CABLE THROUGH CENTER HUB

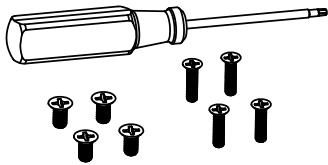


REMOVE CAP TO ROUTE POWER CABLE AFTER ROUTING CABLE REPLACE CAP

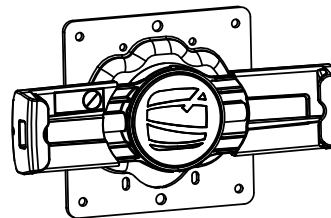
**\* CAUTION\***  
**WHEN INSTALLING TABLET**  
**DO NOT OVER TIGHTEN**  
**TABLET RETAINERS**  
**OVER TIGHTENING COULD LEAD TO**  
**TABLET DAMAGE**



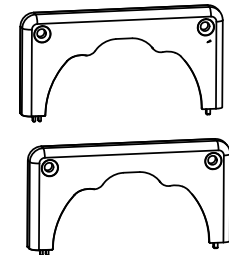
### IN THE BOX



Hardware Kit



Cling VESA 100mm



Covers